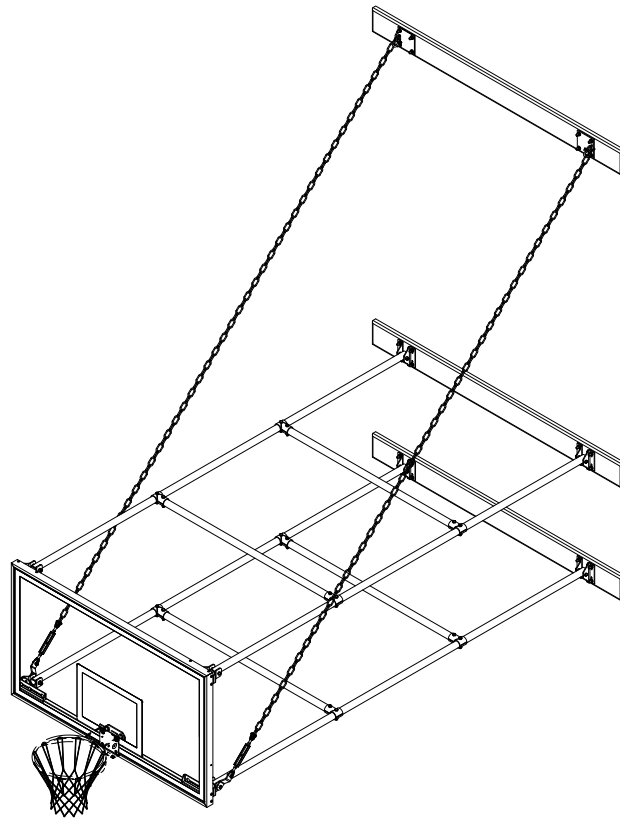




N24GB / N46GB / N68GB / N810GB / N1012GB Stationary Backstop System



jaypro sports
INNOVATION, PERFORMANCE AND COMMITMENT SINCE 1953

Installation and Maintenance Manual

Call Jaypro Sports at 1-800-243-0533 during
regular business hours for technical support.

www.jaypro.com



IMPORTANT NOTES

1. Only qualified and properly trained installers should attempt installation. Contact Jaypro to help locate a qualified installer if you cannot locate one.
2. Wall structure must be capable of supporting the entire load of the backstop and accessories, as well as the additional loading caused by an individual slam dunking and hanging on the rim. Jaypro Sports is not responsible for the wall structure or determining if the wall structure can support the backstop. Consult an Architect or Structural Engineer.
3. All wall anchors are supplied by others. Select the proper wall anchors for the given wall conditions. All wall anchors should be a minimum of 1/2" diameter. When possible, thru-bolting is preferred. If possible, thru-bolt at least two times per stringer, in addition to additional anchors. Consult an Architect or Structural Engineer when selecting wall anchors.
4. Acoustical block, or "sound block", is the worst possible masonry type for wall mounted backstops. The block facing is textured, and has vertical slots every few inches. Acoustical block must be filled solid at all attachment areas or failure is likely to occur.
5. Over the course of time, wall anchors and bolted connections may loosen as a result of building vibrations or vibrations caused during play. Periodic inspection and rework is strongly advised to tighten hardware and return the equipment to the original level of safety.
6. Follow all warning signs and labels on equipment.
7. Inspect all equipment before each use.
8. Should equipment become damaged, immediately stop using the system and tape off the area around the equipment. Do not continue using the equipment until a qualified service technician has inspected the equipment and certified the system is safe to resume use.
9. Use of the equipment other than intended, may be hazardous or cause damage to the equipment. Alterations or modifications of this equipment may be hazardous and result in injury. For repair or replacement, contact your dealer or Jaypro Sports.
10. Preventive maintenance should be performed annually to ensure years of safe, trouble-free use. This work must be completed by a qualified installer or technician. If one is not available to you, Jaypro's own field service team can be hired to do the work. Refer to the maintenance and inspection portion of this manual for further information.

***** IMPORTANT *****

Following all guidelines for installation is absolutely critical to ensure a successful and safe installation of wall mounted equipment. Be especially careful with regards to wall anchor selection and preparation. Follow all manufacturer's instructions for proper use of specific wall anchors. Jaypro does not supply wall anchors with wall mounted equipment, but they can be purchased directly from factory. Wall composition must be brick, concrete, or other form of solid or semi-solid masonry for the backstops to be supported securely. If wall composition is studded with either wood or steel, or there are obstructions or other such building features that make a standard installation inappropriate or impossible, do not attempt installation without first contacting Jaypro directly for a custom engineered solution. Jaypro will not assume liability for the installation of any wall mounted unit.



PREPARATION

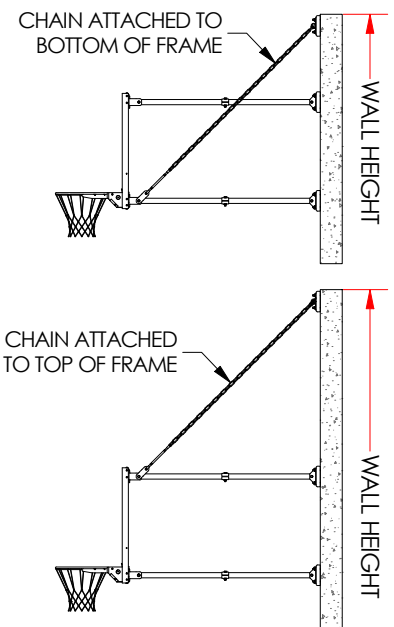
1. Begin by laying out all the parts. Identify everything listed on packing list and parts lists and make sure everything is accounted for. Contact Jaypro immediately if anything is missing. All hardware or component substitution must be reviewed and approved by Jaypro.
2. Familiarize yourself with the installation drawing packet supplied with the backstop. If you don't understand something on any of the drawings, now is the best time to contact Jaypro and get the answers to your questions.
3. Obtain correct anchors for the wall type present. Due to the fact that there are so many different types of wall construction, Jaypro does not supply wall anchors with the backstops. We do, however, stock the most common types and you can purchase the anchors directly from Jaypro. Refer to Appendix A for further information on wall anchors. *****IMPORTANT*** It is the responsibility of the installer to supply the correct wall anchors. Jaypro will not be held liable should the wall anchors fail.**

CHAIN SUPPORTS

1. This installation manual illustrates the stationary wall mounted chain supports anchored to the bottom board attachments. This is the preferred method of installation.
2. If necessary, the chain supports can also be installed to the top board attachments. If this approach is required, you need to add 36" to DIM C summarized in each respective table. **The chains supports must always be 45 degrees or greater.**
3. Verify the wall is of sufficient height to install the backstop. Verify there are no obstructions on or in the wall where the backstop is located. See table below for the required wall height.

	4' FOB	6' FOB	8' FOB	10' FOB	12' FOB
CHAINS ATTACHED TO BOTTOM OF FRAME (PREFERRED APPROACH)	NOT AVAILABLE	15' - 5"	17' - 5"	19' - 5"	21' - 5"
CHAINS ATTACHED TO TOP OF FRAME	16' - 5"	18' - 5"	20' - 5"	22' - 5"	24' - 5"

Table 1: Required Wall Heights for Stationary Wall Mounted Units



4. If there is not sufficient height to install the chain supports, or it was determined that the upper wall structure is not structurally sound to hold the unit, the chains can also be installed to the ceiling structure above. If this approach is necessary, contact Jaypro Sports to design the attachments. Be ready to supply photos and dimensions of the ceiling structure.

WALL MOUNT HORIZONTAL FRAME PIPES

1. Each wall mount kit is supplied with (4) four horizontal frame pipes (HBAR-XX) that will need to be cut and drilled in the field. The length of the pipe and location and quantity of the holes is directly related to the face of bank (FOB) of the units (i.e. distance of the glass off the wall).





UNPACKING AND VERIFICATION

1. Determine which wall mounted kit was supplied and verify that all your parts are accounted for.
2. Verify that no parts were damaged in shipment.
3. Layout all parts and identify for assembly.
4. Below is the the top level item list for each different FOB range.

<input type="checkbox"/>	N24GB	STATIONARY WALL MOUNTED BACKSTOP, 2' TO 4' FACE OF BANK
(1)	GBRUB-42	42" x 72" GLASS BACKBOARD
(1)	GBA-642	REVOLUTION BREAKAWAY GOAL
(1)	1310-HDWR	WALL MOUNT HDWR / FITTING KIT
(1)	1310-24-FRAME	FRAME KIT FOR 2' TO 4' FOB
(1)	WOOD-KT#	HORIZONTAL OR VERTICAL WOOD STRINGER KIT

<input type="checkbox"/>	N46GB	STATIONARY WALL MOUNTED BACKSTOP, 4' TO 6' FACE OF BANK
(1)	GBRUB-42	42" x 72" GLASS BACKBOARD
(1)	GBA-642	REVOLUTION BREAKAWAY GOAL
(1)	1310-HDWR	WALL MOUNT HDWR / FITTING KIT
(1)	1310-46-FRAME	FRAME KIT FOR 4' TO 6' FOB
(1)	WOOD-KT#	HORIZONTAL OR VERTICAL WOOD STRINGER KIT

<input type="checkbox"/>	N68GB	STATIONARY WALL MOUNTED BACKSTOP, 6' TO 8' FACE OF BANK
(1)	GBRUB-42	42" x 72" GLASS BACKBOARD
(1)	GBA-642	REVOLUTION BREAKAWAY GOAL
(1)	1310-HDWR	WALL MOUNT HDWR / FITTING KIT
(1)	1310-68-FRAME	FRAME KIT FOR 6' TO 8' FOB
(1)	WOOD-KT#	HORIZONTAL OR VERTICAL WOOD STRINGER KIT

<input type="checkbox"/>	N810GB	STATIONARY WALL MOUNTED BACKSTOP, 8' TO 10' FACE OF BANK
(1)	GBRUB-42	42" x 72" GLASS BACKBOARD
(1)	GBA-642	REVOLUTION BREAKAWAY GOAL
(1)	1310-HDWR	WALL MOUNT HDWR / FITTING KIT
(1)	1310-810-FRAME	FRAME KIT FOR 8' TO 10' FOB
(1)	WOOD-KT#	HORIZONTAL OR VERTICAL WOOD STRINGER KIT

<input type="checkbox"/>	N1012GB	STATIONARY WALL MOUNTED BACKSTOP, 10' TO 12' FACE OF BANK
(1)	GBRUB-42	42" x 72" GLASS BACKBOARD
(1)	GBA-642	REVOLUTION BREAKAWAY GOAL
(1)	1310-HDWR	WALL MOUNT HDWR / FITTING KIT
(1)	1310-1012-FRAME	FRAME KIT FOR 10' TO 12' FOB
(1)	WOOD-KT#	HORIZONTAL OR VERTICAL WOOD STRINGER KIT



UNPACKING AND VERIFICATION

5. Below are the BOM's of all the subassembly kits. After determining what kits are required from the previous page, confirm the items and quantities are correct for the supplied kits.

<input type="checkbox"/>	1310-HDWR	WALL MOUNT HDWR / FITTING KIT
(2)	D-PLATE-OS	OFFSET D-RING PLATE
(8)	HB5031	3/8-16 x 1-1/2 CARRIAGE BOLT - ZP
(24)	HB5045	1/2-13 x 2-1/2 CARRIAGE BOLT - ZP
(2)	HM6252	3/8 FORGED SHACKLE GALV
(2)	HM6273	1/2-13 JAW-JAW TURNBUCKLE GALV
(8)	HN264	3/8-16 HEX NUT - ZP
(8)	HN2951	1/2-13 NYLON LOCK NUT - ZP
(24)	HN5038	1/2-13 FLANGE LOCK NUT - ZP
(6)	HS2129	1/2-13 x 3-1/2 HEX CAP SCREW - ZP
(2)	HS5320	1/2-13 x 4 HEX CAP SCREW - ZP GRD 8
(8)	HW2050	3/8 STD WASHER - ZP
(20)	HW3078	1/2 STD WASHER - ZP
(8)	HW334	3/8 LOCK WASHER - ZP
(8)	SR5293	7 GA STL HINGE BRACKET
(4)	SR5295	1/4" STL BOARD MOUNT HINGE BRKT
(2)	SR5560	1/4" STL CHAIN ATTACHMENT BRKT

<input type="checkbox"/>	1310-24-FRAME	FRAME KIT FOR 2' TO 4' FOB
(2)	CN0001	1/4" GRD 43 CHAIN ZP - 48" LONG
(4)	HBAR-41	HORIZONTAL FRAME PIPE - 41" LONG

<input type="checkbox"/>	1310-46-FRAME	FRAME KIT FOR 4' TO 6' FOB
(2)	CN0001	1/4" GRD 43 CHAIN ZP - 80" LONG
(4)	HBAR-65	HORIZONTAL FRAME PIPE - 65" LONG
(8)	HN268	1/2-13 THIN NYLON LOCK NUT - ZP
(8)	HS5033	1/2-13 x 3 HEX CAP SCREW GRD 5 - ZP
(8)	SR5297	PIPE CLAMP TEE FITTING 1.90" TO 1.90"
(2)	XBAR	INTERNAL BRACE PIPE - 63-3/8" LONG

<input type="checkbox"/>	WOOD-KT1	HORIZONTAL WOOD KIT
(3)	WH-66	WOOD STRINGER FOR 66" SPREAD

<input type="checkbox"/>	1310-68-FRAME	FRAME KIT FOR 6' TO 8' FOB
(2)	CN0001	1/4" GRD 43 CHAIN ZP - 114" LONG
(4)	HBAR-89	HORIZONTAL FRAME PIPE - 89" LONG
(8)	HN268	1/2-13 THIN NYLON LOCK NUT - ZP
(8)	HS5033	1/2-13 x 3 HEX CAP SCREW GRD 5 - ZP
(8)	SR5297	PIPE CLAMP TEE FITTING 1.90" TO 1.90"
(2)	XBAR	INTERNAL BRACE PIPE - 63-3/8" LONG

<input type="checkbox"/>	WOOD-KT2	VERTICAL WOOD KIT
(2)	WP18	WOOD STRINGER SINGLE MOUNT
(2)	WP-36	WOOD STRINGER FOR 36" SPREAD

<input type="checkbox"/>	1310-810-FRAME	FRAME KIT FOR 8' TO 10' FOB
(2)	CN0001	1/4" GRD 43 CHAIN ZP - 148" LONG
(4)	HBAR-113	HORIZONTAL FRAME PIPE - 113" LONG
(16)	HN268	1/2-13 THIN NYLON LOCK NUT - ZP
(16)	HS5033	1/2-13 x 3 HEX CAP SCREW GRD 5 - ZP
(16)	SR5297	PIPE CLAMP TEE FITTING 1.90" TO 1.90"
(4)	XBAR	INTERNAL BRACE PIPE - 63-3/8" LONG

<input type="checkbox"/>	1310-1012-FRAME	FRAME KIT FOR 10' TO 12' FOB
(2)	CN0001	1/4" GRD 43 CHAIN ZP - 182" LONG
(4)	HBAR-137	HORIZONTAL FRAME PIPE - 137" LONG
(16)	HN268	1/2-13 THIN NYLON LOCK NUT - ZP
(16)	HS5033	1/2-13 x 3 HEX CAP SCREW GRD 5 - ZP
(16)	SR5297	PIPE CLAMP TEE FITTING 1.90" TO 1.90"
(4)	XBAR	INTERNAL BRACE PIPE - 63-3/8" LONG





DRILLING OF WOOD STRINGERS

1. Each wall mounted backstop is supplied with a wood stringer kit. Determine which kit was supplied with your backstop to determine the necessary installation requirements. Figure 1 illustrates the two most common stringer kits, WOOD-KT1 for horizontal stringers and WOOD-KT2 for vertical stringers. Custom kits may contain a combination of both kits. For simplicity, this installation manual illustrates WOOD-KT1.

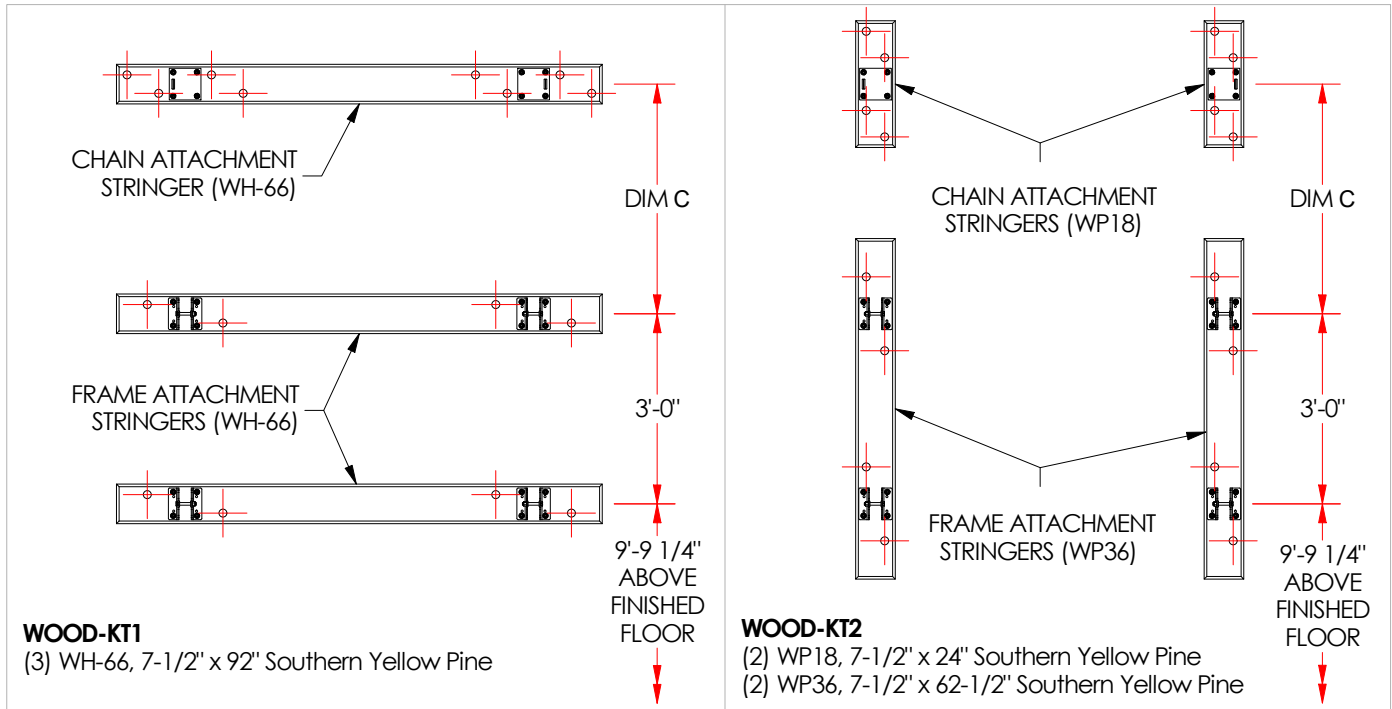


Figure 1: Common Wood Attachment Kits

- The wood stringers for attaching the backstop to the wall are predrilled for their specific brackets. Lay these out on a sawhorse or similar work area.
- It is best to use 1/2" anchors for the wall, therefore a 3/4" hole in the wood stringer is desirable to allow for leveling the stringer. Set up a drill with a 3/4" wood drill bit.
- When marking the stringer, mark and drill from the front of the stringer, the side facing away from the wall. This will be exposed as a finished product, so mark lightly. You need to drill from this side in order to prevent splintering when drilling. It is critical to ensure the holes are drilled as straight as possible, otherwise, it will become difficult to level the stringers during installation.
- Chain attachments are mounted either to 24" long stringers (WP-18), or 92" stringers (WH-66). The chain attachments are critical and see the majority of the loading. For 24" long chain attachment stringers, (4) four anchors are required per stringer. For 96" long chain attachment stringers, (8) eight anchors are required per stringer.
- Frame attachments are mounted to either 64-1/2" long stringers (WP-36), or 92" stringers (WH-66). The length of the stringer is dependent on the orientation, either vertical or horizontal. For either stringer, a minimum of (4) four anchors is required per stringer.
- Stagger the anchors from side to side to obtain optimal attachments and to protect against splitting the stringers. Exact anchor locations cannot be predetermined and is dependent on the wall structure. As a guideline, locate the holes approximately 2" inward from the closest side of the stringer. Use a repeated pattern throughout and locate the anchors close to the attachment fittings. Refer to Figure 1 as an example for anchor locations.



LOCATING, DRILLING & SELECTING WALL ANCHORS

1. Now you are ready to transfer this layout to the wall for drilling. Determine the centerline of the unit from the drawings and architectural drawings. Determine the width of the frame from your installation drawings. The bottom frame attachment is indicated on your drawings, this will dictate the location of your bottom hole. Relate this point to your anchor pattern. Mark a centerline of the stringer starting at your bottom anchor location and extending to the top anchor location. Mark the actual hole locations to each side of the center as they are located on the stringer. Try to avoid mortar joints they often contain wire mesh. The stringer may be shifted up or down slightly to avoid the mortar joints. Continue marking the chain stringer anchor locations. These points may also be shifted slightly to obtain desired anchor locations.

*****IMPORTANT*** For CMU walls, avoid attachment in the top 2 or 3 rows of the block wall. The top rows of a CMU wall typically are not strong enough and may not be capable of supporting the backstop.**

2. After marking all the anchor locations, double check before drilling. Make certain they are at the right height, width, and distance apart. If you are over a finished floor, make certain to protect the area prior to drilling. A box taped to the wall under each hole as you drill will catch a large portion of the dust. Drill all holes before attaching the stringers. Clean the area thoroughly before proceeding to prevent spreading masonry dust.

3. *****IMPORTANT*** Determine the proper anchor for each location. All wall anchors are the responsibility of the installer. All wall anchors must be 1/2" hardware minimum.** A combination of different types of anchors may be necessary and is acceptable. If conditions allow, thru-bolting is the preferred method of attachment. If thru-bolting at all locations is not possible, at least two of the anchors should be thru-bolted for each stringer. Do not try to use an anchor that is not suited to the location. For instance, don't use an expansion anchor in a hollow wall application. Suitable toggle bolt anchors are available for hollow wall applications. If you carry a variety to allow for different applications, you will save yourself a huge amount of time and trouble, and do a better job at the same time. If you use a double expansion anchor, make sure you use a back-up washer between the wall and plank to prevent the anchor from pulling into the wood. Use a suitable washer at the face of the plank to cover the hole. Washers with 1-1/2" outside diameter work well. For additional information on selecting the proper wall anchors, refer to Appendix A, Anchor Management.

CUT AND DRILL HORIZONTAL FRAME PIPES

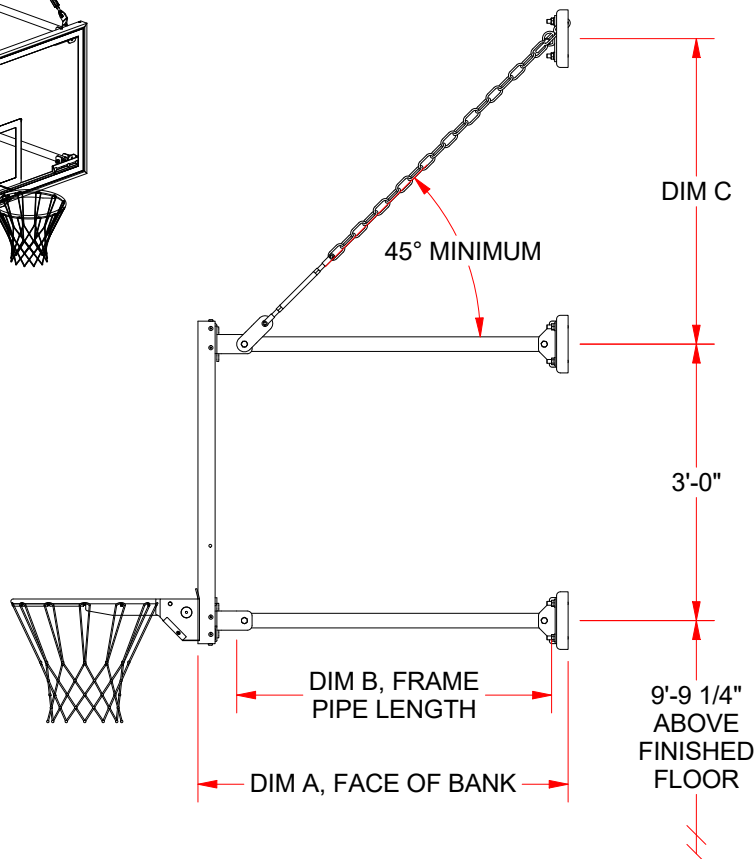
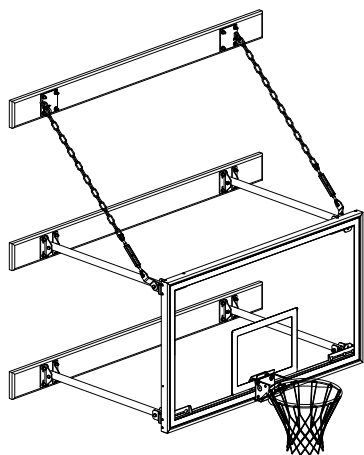
1. The wall mount units are supplied as a "cut and drill" unit to allow maximum flexibility for the installer. Determine the desired face-of-bank (FOB) from the customer and reference the appropriate table (see sheets 8-12). Given the FOB, determine the frame pipe dimensions required.

2. When cutting the pipe, ensure the pipe is cut as straight as possible. Follow the dimensions given on the chart to locate the hole(s) needed for each pipe. Pay attention to the orientation of the holes to be drilled. The accuracy of the FOB is dependent on the accuracy of the cutting and drilling.



2' TO 4' FACE OF BANK (N24GB)

Determine if the unit is **direct attached** or if the unit includes a **height adjuster**. Follow the appropriate table for stringer locations. Cut and drill the frame pipes as directed.



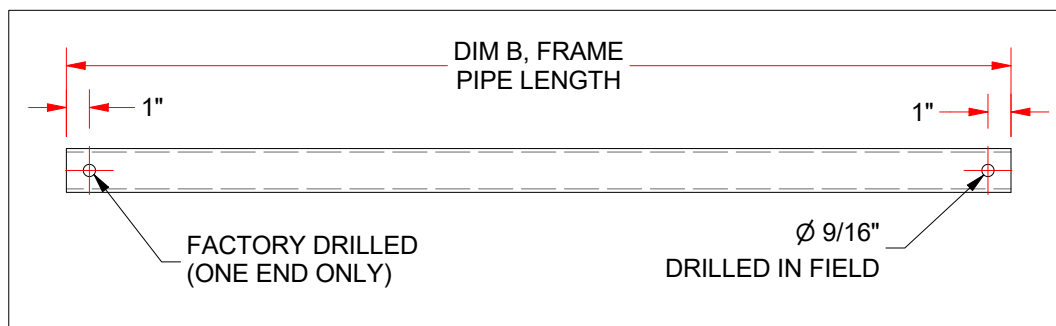
N24GB, DIRECT ATTACHED

DIM A, FACE OF BANK	DIM B (in)	DIM C (in)
2'-0"	17	16
2'-1"	18	17
2'-2"	19	18
2'-3"	20	19
2'-4"	21	20
2'-5"	22	21
2'-6"	23	22
2'-7"	24	23
2'-8"	25	24
2'-9"	26	25
2'-10"	27	26
2'-11"	28	27
3'-0"	29	28
3'-1"	30	29
3'-2"	31	30
3'-3"	32	31
3'-4"	33	32
3'-5"	34	33
3'-6"	35	34
3'-7"	36	35
3'-8"	37	36
3'-9"	38	37
3'-10"	39	38
3'-11"	40	39
4'-0"	41	40

N24GB, WITH HEIGHT ADJUSTER

DIM A, FACE OF BANK	DIM B (in)	DIM C (in)
2'-0"	9 1/4	8 1/4
2'-1"	10 1/4	9 1/4
2'-2"	11 1/4	10 1/4
2'-3"	12 1/4	11 1/4
2'-4"	13 1/4	12 1/4
2'-5"	14 1/4	13 1/4
2'-6"	15 1/4	14 1/4
2'-7"	16 1/4	15 1/4
2'-8"	17 1/4	16 1/4
2'-9"	18 1/4	17 1/4
2'-10"	19 1/4	18 1/4
2'-11"	20 1/4	19 1/4
3'-0"	21 1/4	20 1/4
3'-1"	22 1/4	21 1/4
3'-2"	23 1/4	22 1/4
3'-3"	24 1/4	23 1/4
3'-4"	25 1/4	24 1/4
3'-5"	26 1/4	25 1/4
3'-6"	27 1/4	26 1/4
3'-7"	28 1/4	27 1/4
3'-8"	29 1/4	28 1/4
3'-9"	30 1/4	29 1/4
3'-10"	31 1/4	30 1/4
3'-11"	32 1/4	31 1/4
4'-0"	33 1/4	32 1/4

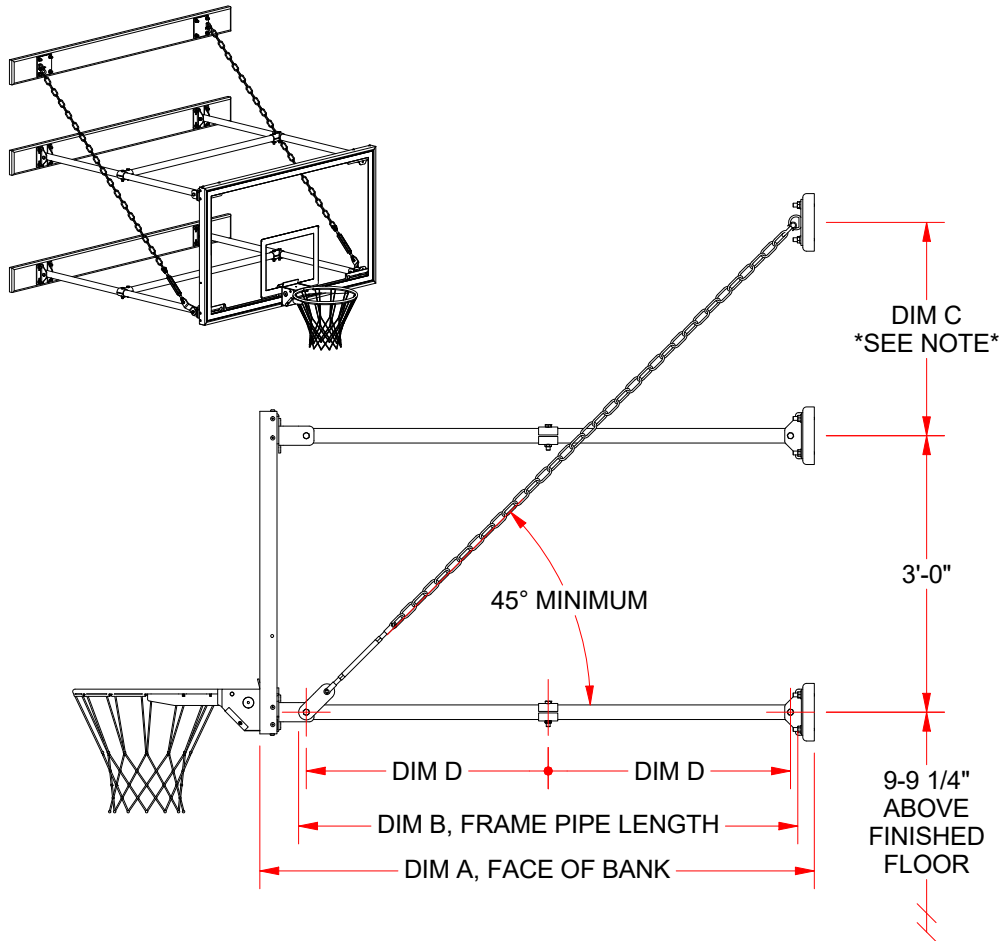
HBAR-41 CUT & DRILL FRAME PIPE DETAIL:





4' TO 6' FACE OF BANK (N46GB)

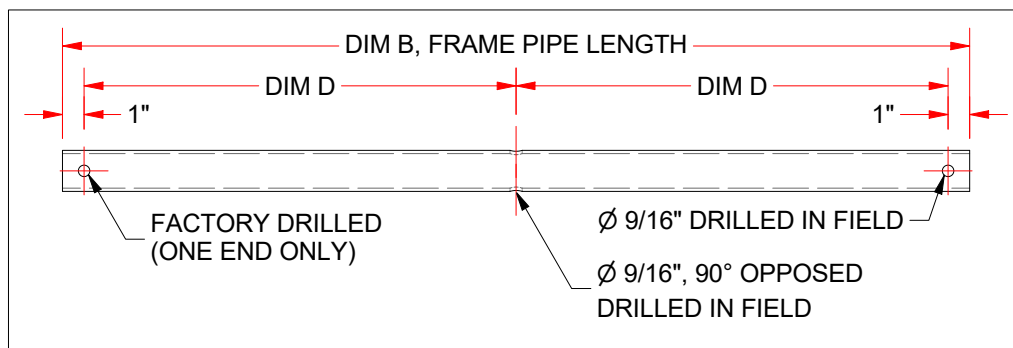
Determine if the unit is **direct attached** or if the unit includes a **height adjuster**. Follow the appropriate table for stringer locations. Cut and drill the frame pipes as directed. The N46GB includes one cross frame brace for both the top and bottom frame assembly.



N46GB, DIRECT ATTACHED

DIM A, FACE OF BANK	DIM B (in)	DIM C (in)	DIM D (in)
4'-0"	41	7 1/2	19 1/2
4'-1"	42	7 1/2	20
4'-2"	43	7 1/2	20 1/2
4'-3"	44	7 1/2	21
4'-4"	45	8	21 1/2
4'-5"	46	9	22
4'-6"	47	10	22 1/2
4'-7"	48	11	23
4'-8"	49	12	23 1/2
4'-9"	50	13	24
4'-10"	51	14	24 1/2
4'-11"	52	15	25
5'-0"	53	16	25 1/2
5'-1"	54	17	26
5'-2"	55	18	26 1/2
5'-3"	56	19	27
5'-4"	57	20	27 1/2
5'-5"	58	21	28
5'-6"	59	22	28 1/2
5'-7"	60	23	29
5'-8"	61	24	29 1/2
5'-9"	62	25	30
5'-10"	63	26	30 1/2
5'-11"	64	27	31
6'-0"	65	28	31 1/2

HBAR-65 CUT & DRILL FRAME PIPE DETAIL:



NOTE: DIM C summarized in both tables are based on the chain attaching to the lower frame assembly. If desired, the chains can also be attached to the upper frame assembly. If this approach is required, add 36" to DIM C. Please note, the chain supports must always be 45 degrees or greater.

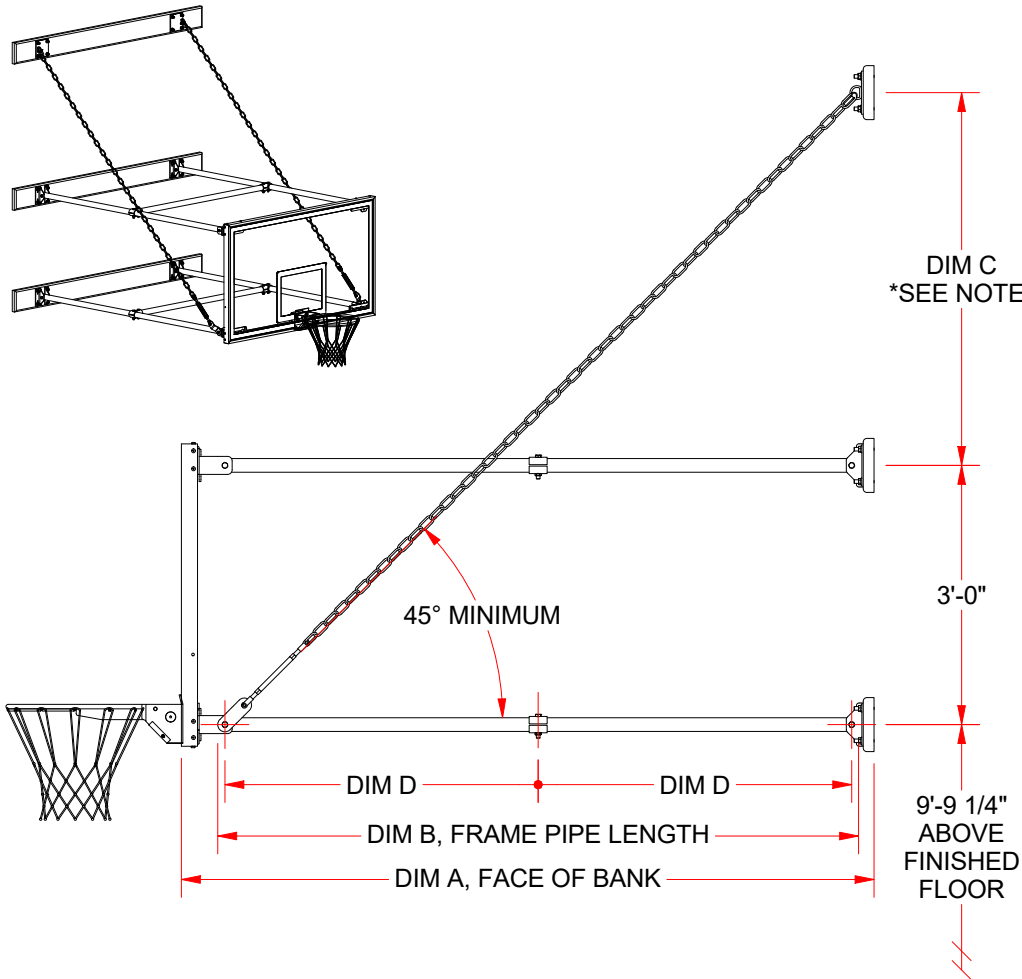
N46GB, WITH HEIGHT ADJUSTER

DIM A, FACE OF BANK	DIM B (in)	DIM C (in)	DIM D (in)
4'-0"	33 1/4	7 1/2	15 5/8
4'-1"	34 1/4	7 1/2	16 1/8
4'-2"	35 1/4	7 1/2	16 5/8
4'-3"	36 1/4	7 1/2	17 1/8
4'-4"	37 1/4	7 1/2	17 5/8
4'-5"	38 1/4	7 1/2	18 1/8
4'-6"	39 1/4	7 1/2	18 5/8
4'-7"	40 1/4	7 1/2	19 1/8
4'-8"	41 1/4	7 1/2	19 5/8
4'-9"	42 1/4	7 1/2	20 1/8
4'-10"	43 1/4	7 1/2	20 5/8
4'-11"	44 1/4	7 1/2	21 1/8
5'-0"	45 1/4	8 1/4	21 5/8
5'-1"	46 1/4	9 1/4	22 1/8
5'-2"	47 1/4	10 1/4	22 5/8
5'-3"	48 1/4	11 1/4	23 1/8
5'-4"	49 1/4	12 1/4	23 5/8
5'-5"	50 1/4	13 1/4	24 1/8
5'-6"	51 1/4	14 1/4	24 5/8
5'-7"	52 1/4	15 1/4	25 1/8
5'-8"	53 1/4	16 1/4	25 5/8
5'-9"	54 1/4	17 1/4	26 1/8
5'-10"	55 1/4	18 1/4	26 5/8
5'-11"	56 1/4	19 1/4	27 1/8
6'-0"	57 1/4	20 1/4	27 5/8

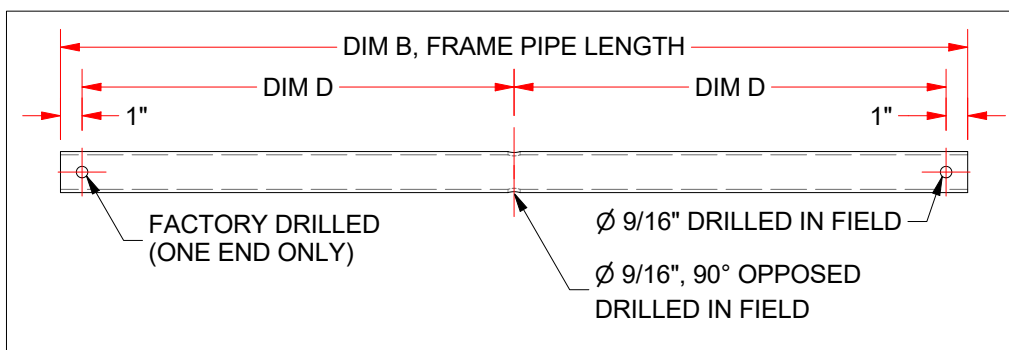


6' TO 8' FACE OF BANK (N68GB)

Determine if the unit is **direct attached** or if the unit includes a **height adjuster**. Follow the appropriate table for stringer locations. Cut and drill the frame pipes as directed. The N68GB includes one cross frame brace for both the top and bottom frame assembly.



HBAR-89 CUT & DRILL FRAME PIPE DETAIL:



NOTE: DIM C summarized in both tables are based on the chain attaching to the lower frame assembly. If desired, the chains can also be attached to the upper frame assembly. If this approach is required, add 36" to DIM C. Please note, the chain supports must always be 45 degrees or greater.

N68GB, DIRECT ATTACHED

DIM A, FACE OF BANK	DIM B (in)	DIM C (in)	DIM D (in)
6'-0"	65	28	31 1/2
6'-1"	66	29	32
6'-2"	67	30	32 1/2
6'-3"	68	31	33
6'-4"	69	32	33 1/2
6'-5"	70	33	34
6'-6"	71	34	34 1/2
6'-7"	72	35	35
6'-8"	73	36	35 1/2
6'-9"	74	37	36
6'-10"	75	38	36 1/2
6'-11"	76	39	37
7'-0"	77	40	37 1/2
7'-1"	78	41	38
7'-2"	79	42	38 1/2
7'-3"	80	43	39
7'-4"	81	44	39 1/2
7'-5"	82	45	40
7'-6"	83	46	40 1/2
7'-7"	84	47	41
7'-8"	85	48	41 1/2
7'-9"	86	49	42
7'-10"	87	50	42 1/2
7'-11"	88	51	43
8'-0"	89	52	43 1/2

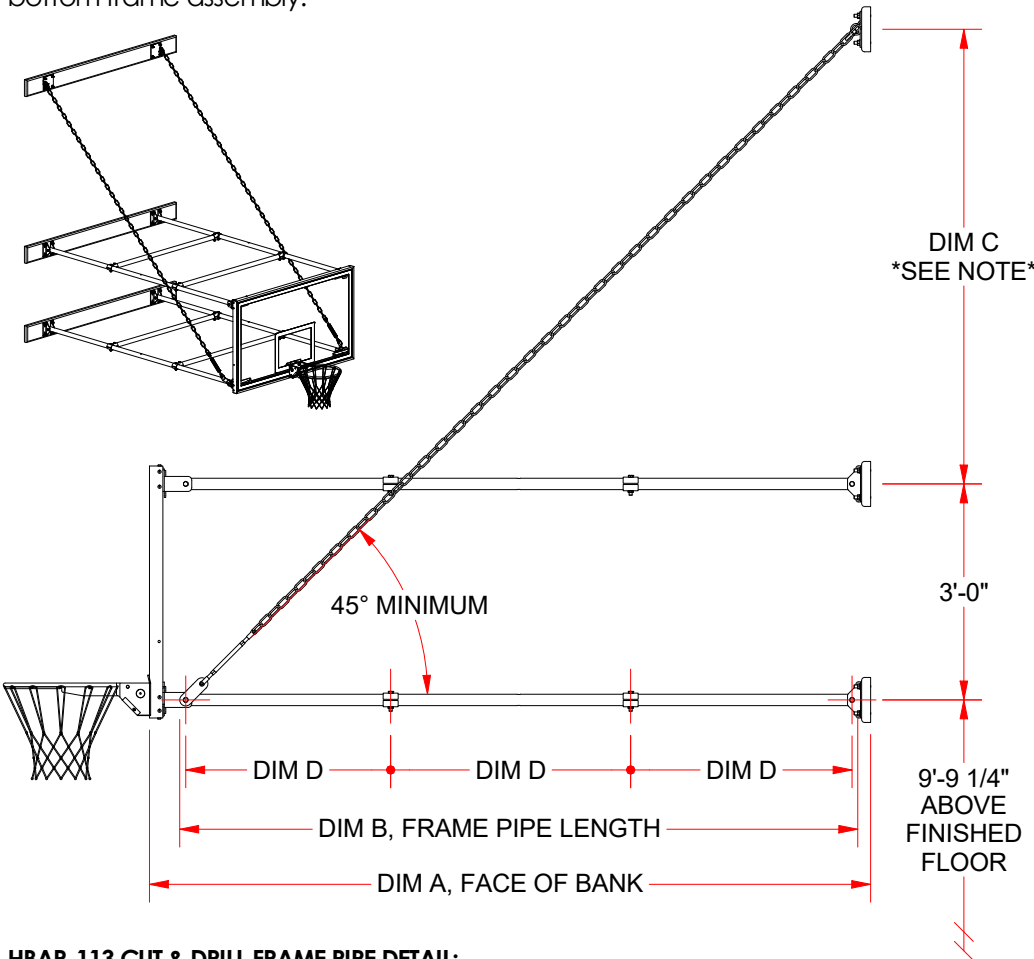
N68GB, WITH HEIGHT ADJUSTER

DIM A, FACE OF BANK	DIM B (in)	DIM C (in)	DIM D (in)
6'-0"	57 1/4	20 1/4	27 5/8
6'-1"	58 1/4	21 1/4	28 1/8
6'-2"	59 1/4	22 1/4	28 5/8
6'-3"	60 1/4	23 1/4	29 1/8
6'-4"	61 1/4	24 1/4	29 5/8
6'-5"	62 1/4	25 1/4	30 1/8
6'-6"	63 1/4	26 1/4	30 5/8
6'-7"	64 1/4	27 1/4	31 1/8
6'-8"	65 1/4	28 1/4	31 5/8
6'-9"	66 1/4	29 1/4	32 1/8
6'-10"	67 1/4	30 1/4	32 5/8
6'-11"	68 1/4	31 1/4	33 1/8
7'-0"	69 1/4	32 1/4	33 5/8
7'-1"	70 1/4	33 1/4	34 1/8
7'-2"	71 1/4	34 1/4	34 5/8
7'-3"	72 1/4	35 1/4	35 1/8
7'-4"	73 1/4	36 1/4	35 5/8
7'-5"	74 1/4	37 1/4	36 1/8
7'-6"	75 1/4	38 1/4	36 5/8
7'-7"	76 1/4	39 1/4	37 1/8
7'-8"	77 1/4	40 1/4	37 5/8
7'-9"	78 1/4	41 1/4	38 1/8
7'-10"	79 1/4	42 1/4	38 5/8
7'-11"	80 1/4	43 1/4	39 1/8
8'-0"	81 1/4	44 1/4	39 5/8

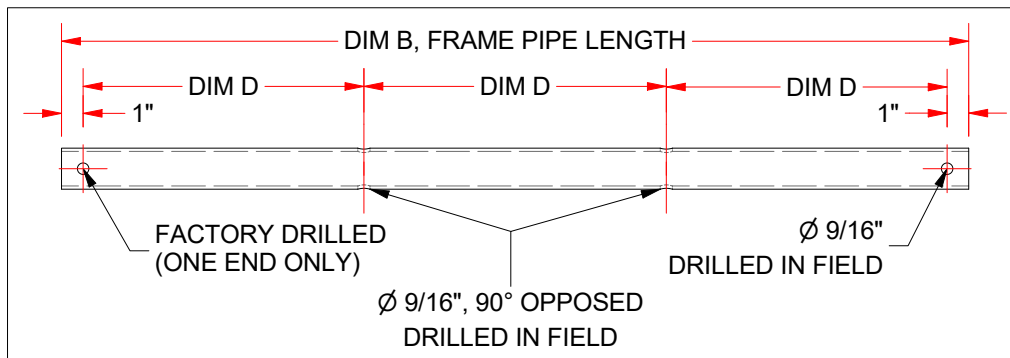


8' TO 10' FACE OF BANK (N810GB)

Determine if the unit is **direct attached** or if the unit includes a **height adjuster**. Follow the appropriate table for stringer locations. Cut and drill the frame pipes as directed. The N810GB includes two cross frame braces for both the top and bottom frame assembly.



HBAR-113 CUT & DRILL FRAME PIPE DETAIL:



NOTE: DIM C summarized in both tables are based on the chain attaching to the lower frame assembly. If desired, the chains can also be attached to the upper frame assembly. If this approach is required, add 36" to DIM C. Please note, the chain supports must always be 45 degrees or greater.

N810GB, DIRECT ATTACHED

DIM A, FACE OF BANK	DIM B (in)	DIM C (in)	DIM D (in)
8'-0"	89	52	29
8'-1"	90	53	29 3/8
8'-2"	91	54	29 3/4
8'-3"	92	55	30
8'-4"	93	56	30 3/8
8'-5"	94	57	30 3/4
8'-6"	95	58	31
8'-7"	96	59	31 3/8
8'-8"	97	60	31 3/4
8'-9"	98	61	32
8'-10"	99	62	32 3/8
8'-11"	100	63	32 3/4
9'-0"	101	64	33
9'-1"	102	65	33 3/8
9'-2"	103	66	33 3/4
9'-3"	104	67	34
9'-4"	105	68	34 3/8
9'-5"	106	69	34 3/4
9'-6"	107	70	35
9'-7"	108	71	35 3/8
9'-8"	109	72	35 3/4
9'-9"	110	73	36
9'-10"	111	74	36 3/8
9'-11"	112	75	36 3/4
10'-0"	113	76	37

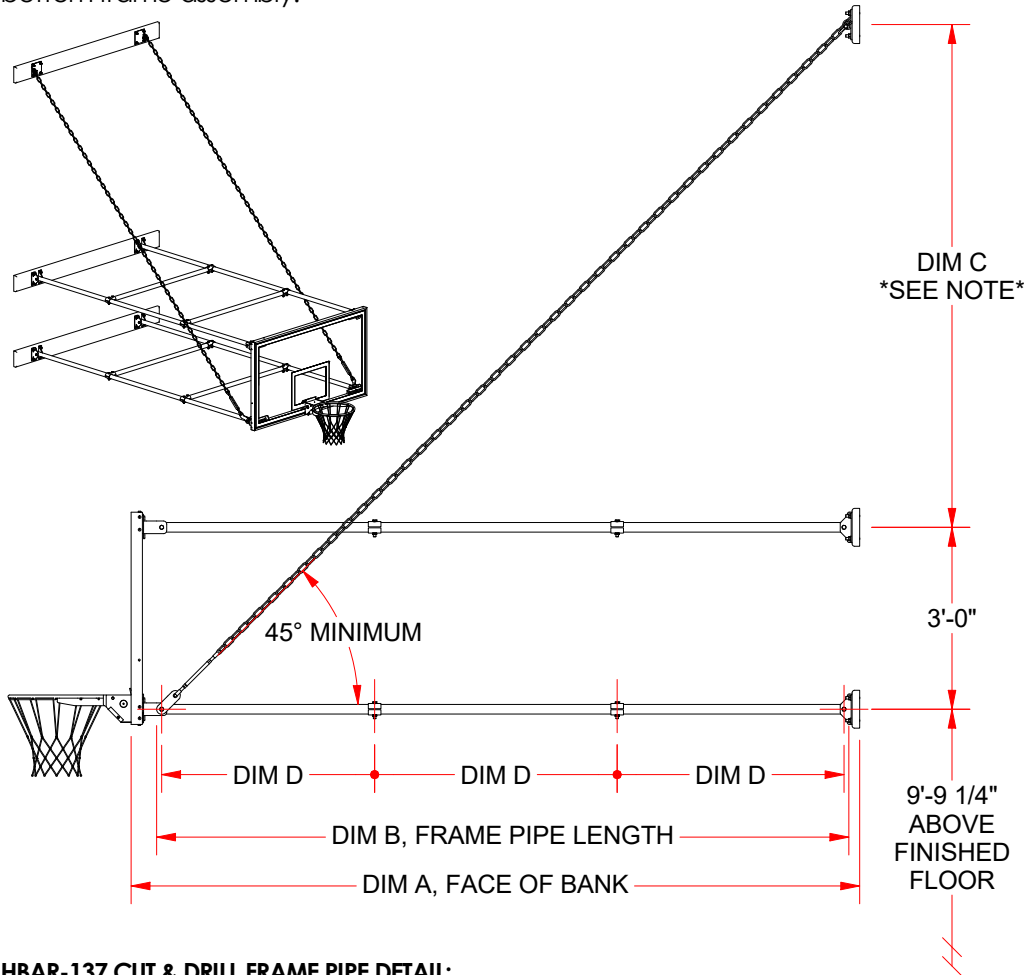
N810GB, WITH HEIGHT ADJUSTER

DIM A, FACE OF BANK	DIM B (in)	DIM C (in)	DIM D (in)
8'-0"	81 1/4	44 1/4	26 1/2
8'-1"	82 1/4	45 1/4	26 3/4
8'-2"	83 1/4	46 1/4	27
8'-3"	84 1/4	47 1/4	27 1/2
8'-4"	85 1/4	48 1/4	27 3/4
8'-5"	86 1/4	49 1/4	28
8'-6"	87 1/4	50 1/4	28 1/2
8'-7"	88 1/4	51 1/4	28 3/4
8'-8"	89 1/4	52 1/4	29
8'-9"	90 1/4	53 1/4	29 1/2
8'-10"	91 1/4	54 1/4	29 3/4
8'-11"	92 1/4	55 1/4	30
9'-0"	93 1/4	56 1/4	30 1/2
9'-1"	94 1/4	57 1/4	30 3/4
9'-2"	95 1/4	58 1/4	31
9'-3"	96 1/4	59 1/4	31 1/2
9'-4"	97 1/4	60 1/4	31 3/4
9'-5"	98 1/4	61 1/4	32
9'-6"	99 1/4	62 1/4	32 1/2
9'-7"	100 1/4	63 1/4	32 3/4
9'-8"	101 1/4	64 1/4	33
9'-9"	102 1/4	65 1/4	33 1/2
9'-10"	103 1/4	66 1/4	33 3/4
9'-11"	104 1/4	67 1/4	34
10'-0"	105 1/4	68 1/4	34 1/2

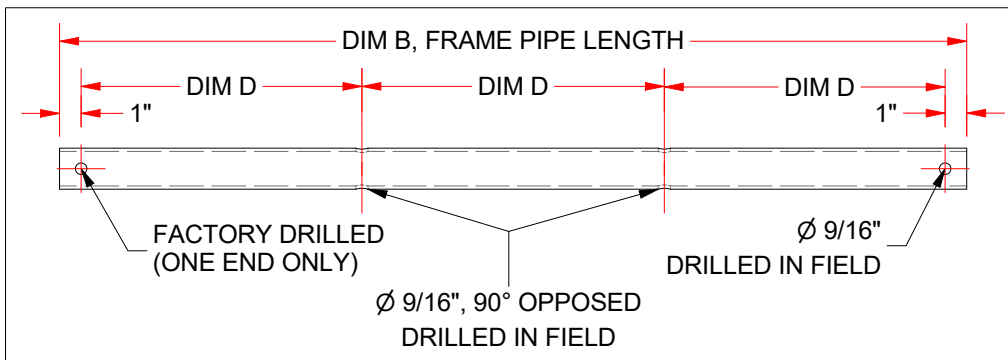


10' TO 12' FACE OF BANK (N1012GB)

Determine if the unit is **direct attached** or if the unit includes a **height adjuster**. Follow the appropriate table for stringer locations. Cut and drill the frame pipes as directed. The N1012GB includes two cross frame braces for both the top and bottom frame assembly.



HBAR-137 CUT & DRILL FRAME PIPE DETAIL:



NOTE: DIM C summarized in both tables are based on the chain attaching to the lower frame assembly. If desired, the chains can also be attached to the upper frame assembly. If this approach is required, add 36" to DIM C. Please note, the chain supports must always be 45 degrees or greater.

N1012GB, DIRECT ATTACHED

DIM A, FACE OF BANK	DIM B (in)	DIM C (in)	DIM D (in)
10'-0"	113	76	37
10'-1"	114	77	37 3/8
10'-2"	115	78	37 3/4
10'-3"	116	79	38
10'-4"	117	80	38 3/8
10'-5"	118	81	38 3/4
10'-6"	119	82	39
10'-7"	120	83	39 3/8
10'-8"	121	84	39 3/4
10'-9"	122	85	40
10'-10"	123	86	40 3/8
10'-11"	124	87	40 3/4
11'-0"	125	88	41
11'-1"	126	89	41 3/8
11'-2"	127	90	41 3/4
11'-3"	128	91	42
11'-4"	129	92	42 3/8
11'-5"	130	93	42 3/4
11'-6"	131	94	43
11'-7"	132	95	43 3/8
11'-8"	133	96	43 3/4
11'-9"	134	97	44
11'-10"	135	98	44 3/8
11'-11"	136	99	44 3/4
12'-0"	137	100	45

N1012GB, WITH HEIGHT ADJUSTER

DIM A, FACE OF BANK	DIM B (in)	DIM C (in)	DIM D (in)
10'-0"	105 1/4	68 1/4	34 1/2
10'-1"	106 1/4	69 1/4	34 3/4
10'-2"	107 1/4	70 1/4	35
10'-3"	108 1/4	71 1/4	35 1/2
10'-4"	109 1/4	72 1/4	35 3/4
10'-5"	110 1/4	73 1/4	36
10'-6"	111 1/4	74 1/4	36 1/2
10'-7"	112 1/4	75 1/4	36 3/4
10'-8"	113 1/4	76 1/4	37
10'-9"	114 1/4	77 1/4	37 1/2
10'-10"	115 1/4	78 1/4	37 3/4
10'-11"	116 1/4	79 1/4	38
11'-0"	117 1/4	80 1/4	38 1/2
11'-1"	118 1/4	81 1/4	38 3/4
11'-2"	119 1/4	82 1/4	39
11'-3"	120 1/4	83 1/4	39 1/2
11'-4"	121 1/4	84 1/4	39 3/4
11'-5"	122 1/4	85 1/4	40
11'-6"	123 1/4	86 1/4	40 1/2
11'-7"	124 1/4	87 1/4	40 3/4
11'-8"	125 1/4	88 1/4	41
11'-9"	126 1/4	89 1/4	41 1/2
11'-10"	127 1/4	90 1/4	41 3/4
11'-11"	128 1/4	91 1/4	42
12'-0"	129 1/4	92 1/4	42 1/2



ASSEMBLING THE UNIT

1. Prepare the wood stringers for installation by attaching all brackets with carriage bolts provided. Tighten these sufficiently to cause the bolt to compress into the stringer. Use a speed square to ensure the brackets are secured square.
2. Attach each stringer loosely, to allow for leveling. Level and tighten the stringers securely to the wall and cut off excess bolts protruding from the wall. Maintain center-to-center dimensions and height requirements as accurately as possible to make the rest of the installation as easy as possible.
3. Attach support chains to the stringers before attempting to assemble the frames, these are normally needed to support the frames after raising them. It is easier to have them in place before proceeding.
4. Assemble each frame on the ground, including all XBAR frame bracing and the board mount attachment fitting.
5. The next step is dependant on the chain attachment location:

A) If the chains are attached to the bottom frame structure, as shown in Figure 2, attach the top frame to the wood stringer(s). Use a rated ratchet strap at each side to hold the upper frame structure in the approximate location. Next, install the bottom frame structure to the wood stringer and support the frame with the support chains and turnbuckle. Adjust the turnbuckles to level the frame structure and to evenly distribute the weight of the unit.

B) If the chains are attached to the top frame structure, as shown in Figure 3, attach the top frame to the wood stringer(s) and support the frame with the support chain and turnbuckle. Adjust the turnbuckles to level the frame structure and to evenly distribute the weight of the unit. Next, attach the lower frame to the wood stringer(s). Use a rated ratchet strap at each side to hold the upper frame structure in the approximate location.

Figure 2: Lower Chain Supports

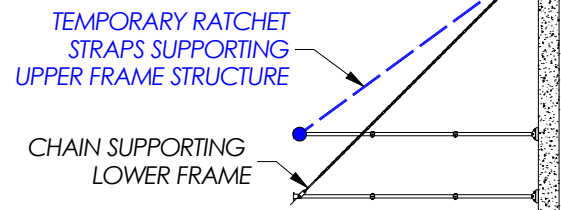
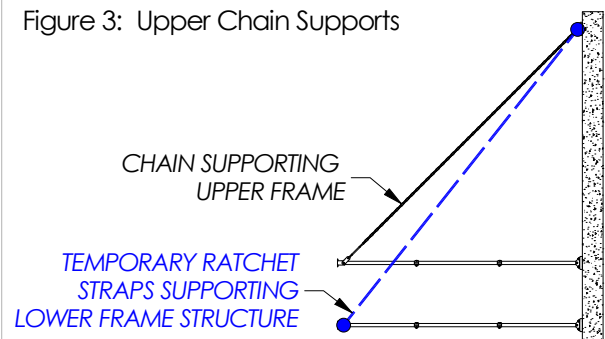


Figure 3: Upper Chain Supports



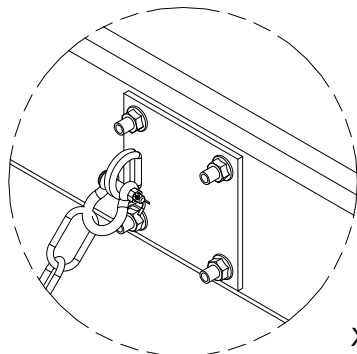
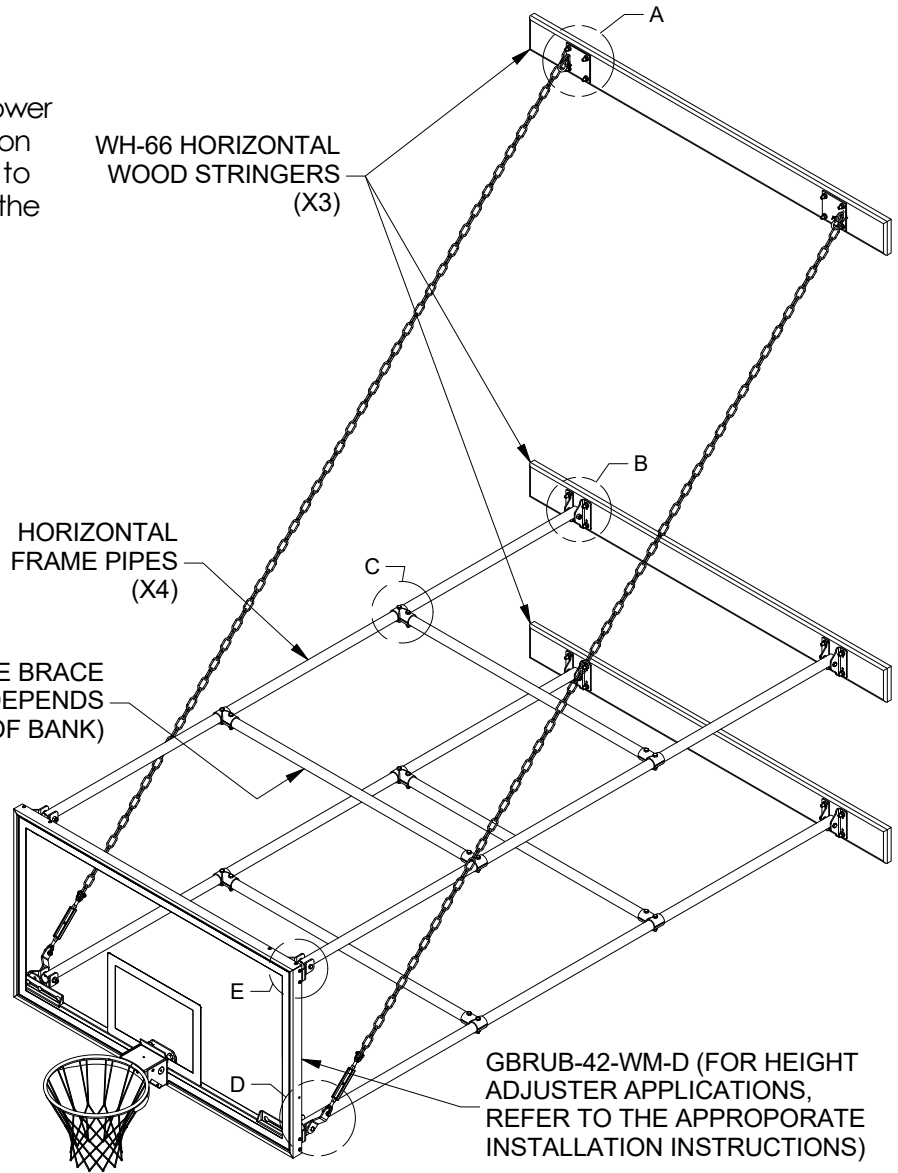
6. With both frames now installed, attach the backboard and height adjuster (if equipped) to the frame. *****IMPORTANT*** Always secure the board to the frame supported by the chains FIRST. Never attach the board to the frame supported by the ratchet straps.** The ratchet straps should only see the weight of the frame itself. With the board secured to the frame at all four corners, adjust the turnbuckles as needed and remove the ratchet straps.
7. Cut off any excess chain.
8. Install the rim and edge padding (if equipped).
9. Quite often, any wall anchors or bolted connections to wood stringers can become loose after the anchors see loading. This is caused by the additional compression of the wood. Once final assembly is complete, check all wall anchors and bolted connections for tightness.



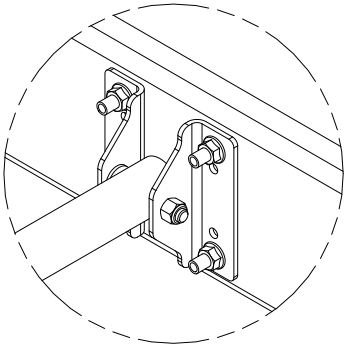
Stationary Wall Mounted Backstop - Installation & Operating Manual

SYSTEM OVERVIEW

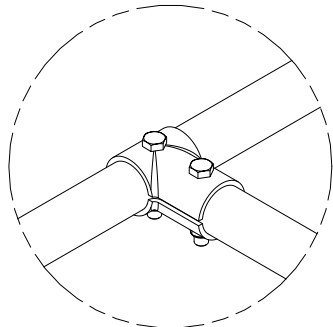
Unit shown with chains supporting the lower frame structure. If an obstruction exists on the wall, the chains can be connected to the top board attachments, as long as the support chains are maintained at 45 degrees or greater.



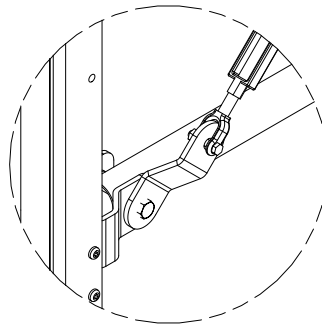
DETAIL A
DPLATE-OS-A



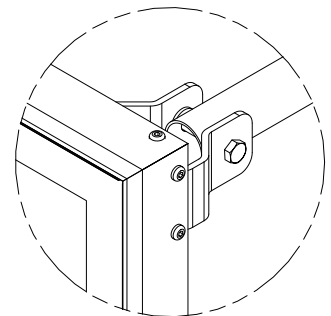
DETAIL B
WMHB-166-A



DETAIL C
PCT-1919-A



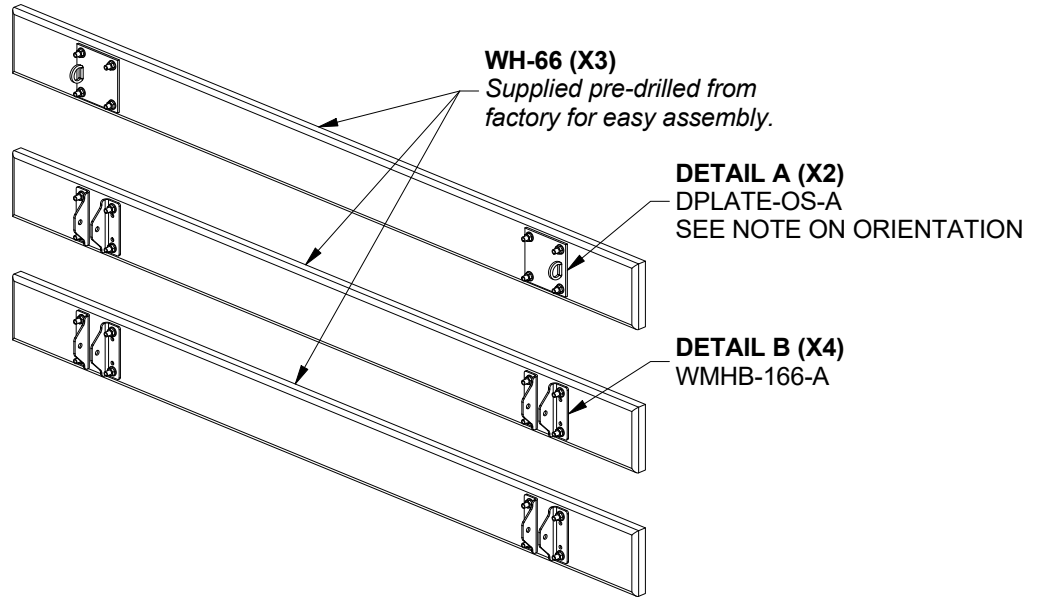
DETAIL D
HPBH-P-A



DETAIL E
HPBH-B-A

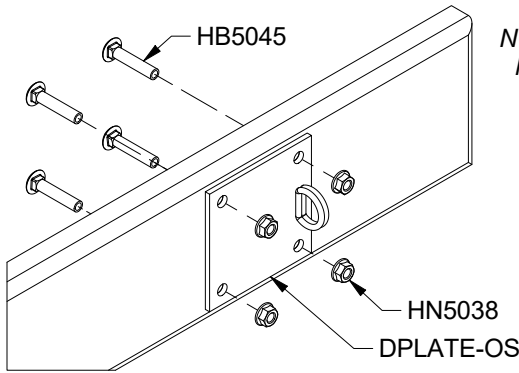
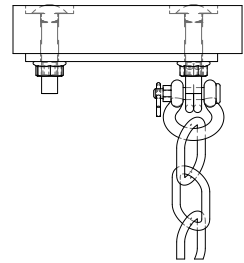


Stationary Wall Mounted Backstop - Installation & Operating Manual

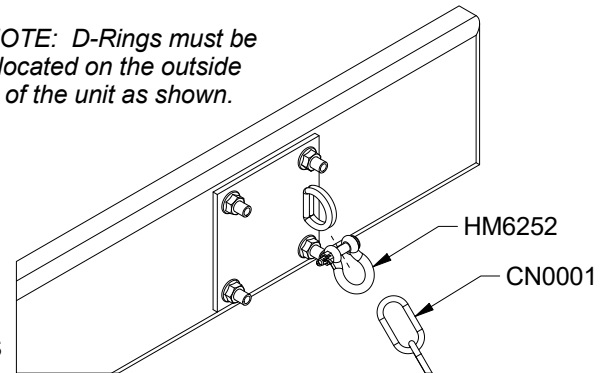


DETAIL A (X2)
DPLATE-OS-A

DPLATE-OS must be installed prior to mounting the wood stringer to the wall.

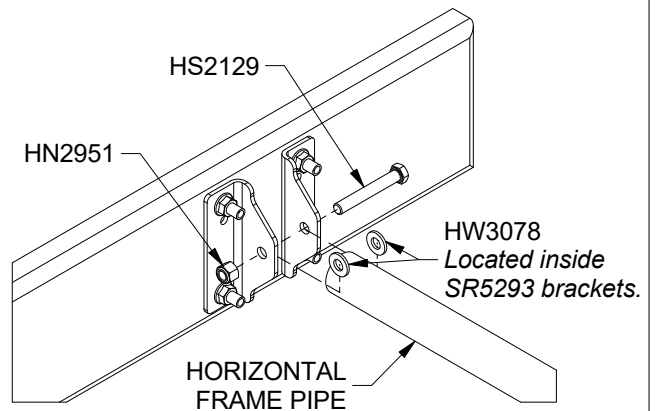
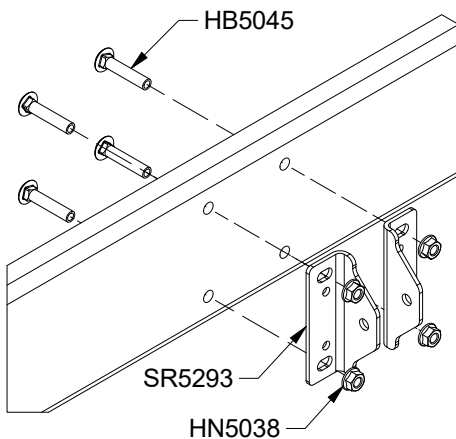
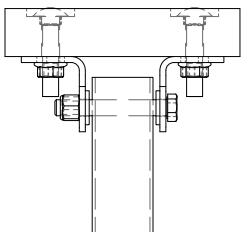


NOTE: D-Rings must be located on the outside of the unit as shown.



DETAIL B (X4)
WMHB-166-A

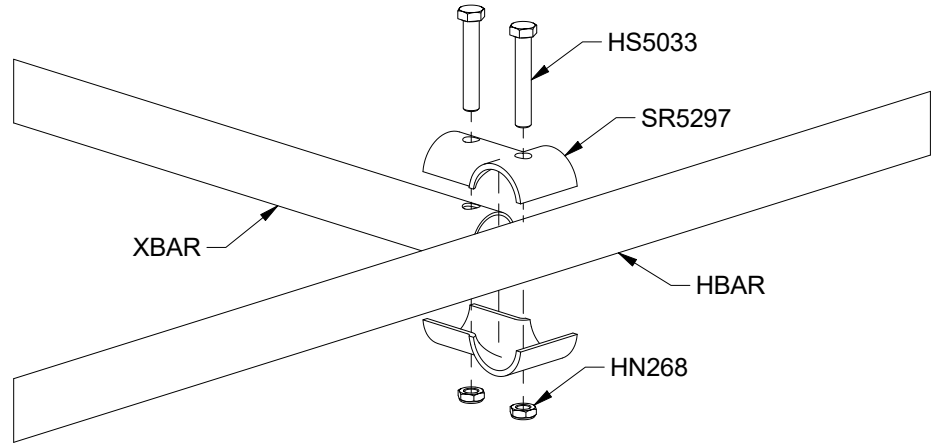
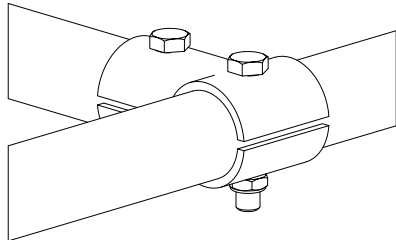
SR5293 must be installed prior to mounting the wood stringer to the wall.





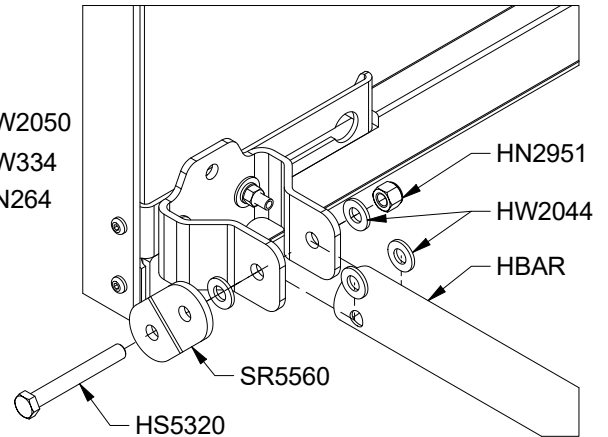
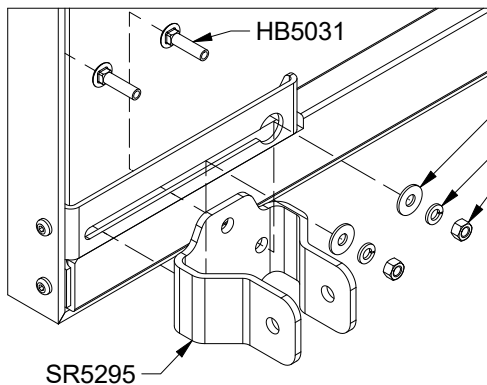
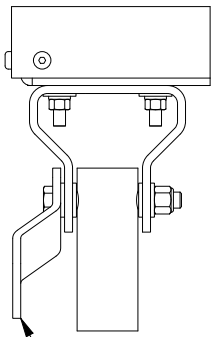
DETAIL C (IF APPLICABLE) PCT-1919-A

Pipe Clamp Tee Assembly for
Perpendicular Frame Pipes



DETAIL D (X2) HPBH-P-A

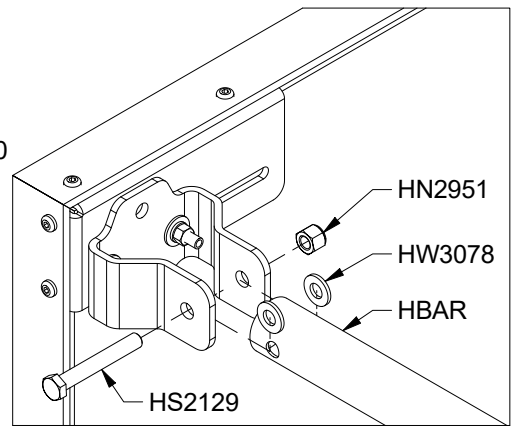
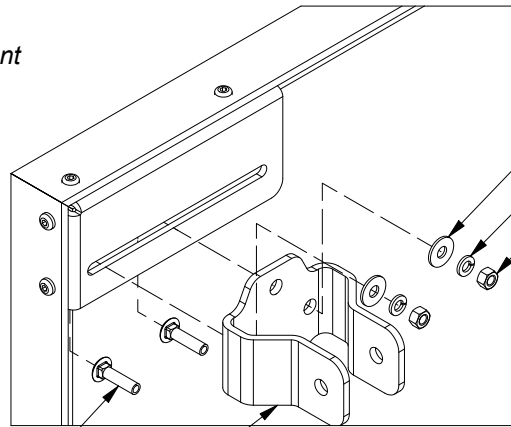
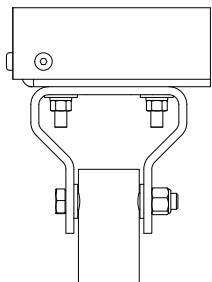
Board Mount Attachment
with Support Chain Bracket

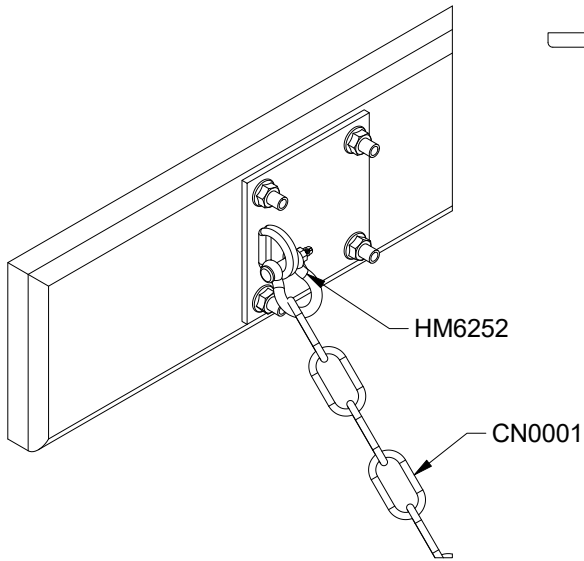


NOTE: SR5560 MUST BE INSTALLED AS SHOWN, WITH BRACKET KICKED OUTWARD FROM THE UNIT.

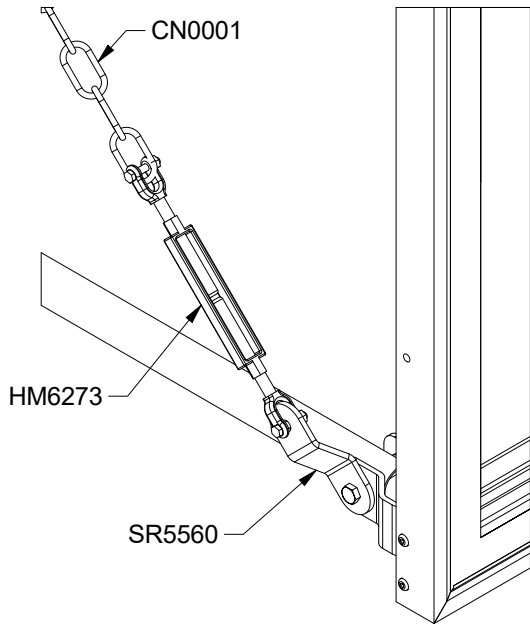
DETAIL E (X2) HPBH-B-A

Board Mount Attachment

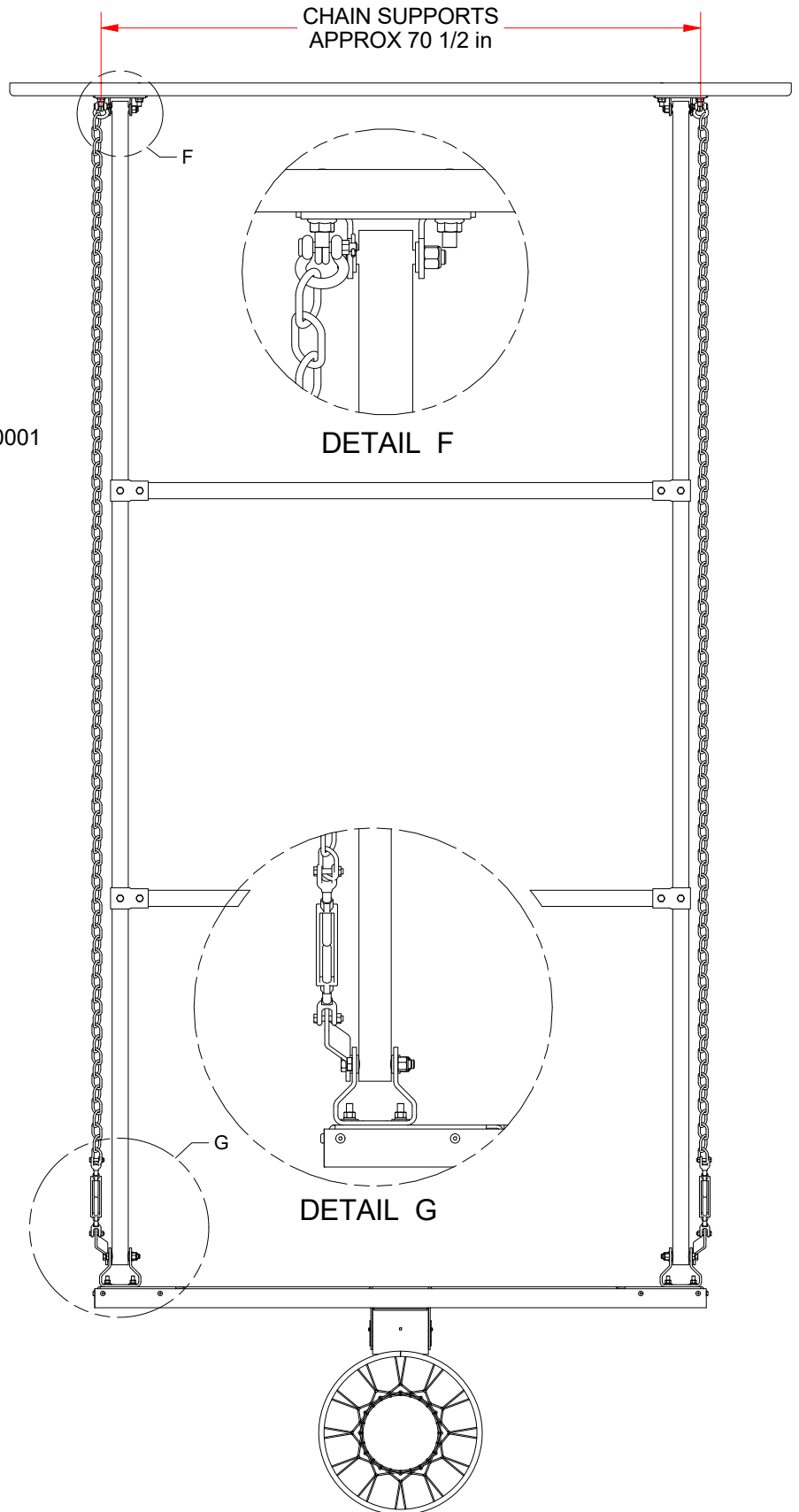




DETAIL F



DETAIL G





JAYPRO WALL MOUNTED BACKSTOP

INSTALLATION RECORD

INSTALLER: PLEASE PROVIDE THE FOLLOWING INFORMATION AND FAX A COPY TO (860) 440-0628.

INSTALLER NAME: _____ PHONE #: _____ DATE: _____
--

G.C. NAME: _____ PHONE #: _____

FACILITY NAME: _____ <small>(IN WHICH THIS BATTING CAGE WAS INSTALLED)</small>
ADDRESS: _____ _____ _____
CONTACT NAME: _____ <small>(PERSON WHO RECEIVED KEYS FOR THE SYSTEM OR OTHER FACILITY REPRESENTATIVE)</small>
PHONE #: _____

Call Jaypro Sports Equipment at 1-800-243-0533 during regular business hours for any technical support questions or issues. Refer to the applicable Wall Mount Model Number when talking to customer service personnel.

www.jaypro.com

